

SmartPod

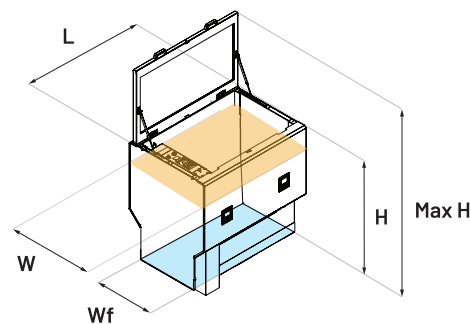
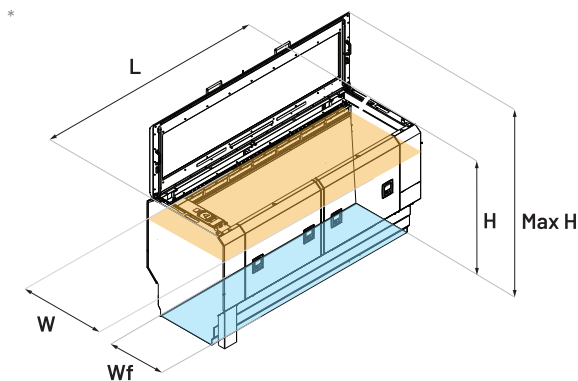
The smart choice for your datacenter





SmartPod

Technical Specs		SmartPodX	SmartPodXL	SmartPodXL+
The Characteristics	Total dissipation capacity	50 kW		100kW
	IT Hardware capacity	21 U / 19 OU	44 U / 42 OU	41U / 39 OU
	Dimensions	120 (L) x 90 (W) x 119 (H) cm 47.2 (L) in x 35.3 (W) in x 46.9 (H) in	229 (L) x 90 (W) x 119 (H) cm 90 (L) x 35.4 (W) in x 46.8 (H) in	
	Max height (Lid open)	195 (Max H) cm / 76.6 (Max H) in		
	Weight (empty) with CDU	411 kg / 906.1 lb	671 kg / 1479.3 lb	767 kg / 1690.9 lb
	SmartCoolant capacity	576 L / 152.2 gal	1187 L / 313.6 gal	
	Total weight (Full of SmartCoolant with CDU)	872 kg / 1922 lb	1620.5 kg / 3572.6 lb	1716.5 kg / 3784.2 lb
	Dual tank	Optional		
The CDU	Max power consumption	750 W		1500 W
	Mechanical Power Usage Effectiveness	1.015		
	Number of CDUs	1		2
	Power supply (CE / UL)	3 Phase + N 380-400 V 50 Hz / 3 Phase 208 V 60 Hz		
	Power supply connection - each CDU (CE / UL)	Industrial connector 3P+E+N 16A IEC 60309 / 20 AMP NEMA PLUG L2120		
	Water supply connection - each CDU (CE / UL)	G 1 1/4" BSPP Female / 1 1/4" NPT Male - Zero-leak quick water couplings		
The deployment	Head loss in the CDU	1.3 bar @ 9 m ³ /h / 18.6 psi @ 2378 gph		
	Water supply inlet temperature	Recommended ≤ 32 °C / 89.6 °F		
	Water flow rate	9 m ³ /h / 2378 gal/h		18 m ³ /h / 4755 gal/h
	Warm water outlet temperature	Expected +5 °C / +9 °F over selected water inlet temperature		
	Floor load capacity (Full of coolant + with CDU) OCP IT Hardware worst case considered	1422 kg/m ² / 13.9 kN/m ² 291 lb/sq ft / 1.29 kN/sq ft	1432 kg/m ² / 14 kN/m ² 293 lb/sq ft / 1.3 kN/sq ft	1480 kg/m ² / 14.5 kN/m ² 303 lb/sq ft / 1.35 kN/sq ft
	Floor footprint (LxWf)*	0.74 m ² / 7.96 sq ft		1.41 m ² / 15.17 sq ft
	Footprint (LxW)*	1.07 m ² / 11.52 sq ft		2.05 m ² / 22.07 sq ft



Rev. 10.0

submer.com
contact@submer.com

Palo Alto: +1 650 304 0654
 Barcelona: +34 932 202 855
 Virginia: +1 571 758 4171

